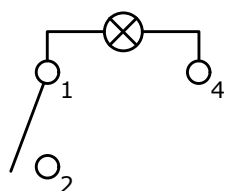


SUGGESTED PANEL CUTOUT
MAX PANEL THICKNESS 6.0mm

SWITCH FUNCTION	
POS. 2	POS. 1
(ON)	OFF
2-1	OPEN

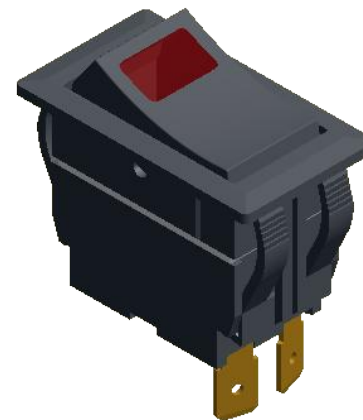
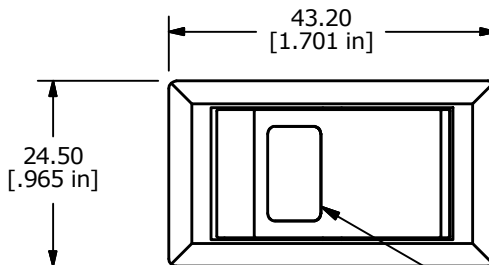
(ON) = MOMENTARY



CIRCUIT: SPDT
OFF - (ON)
(ON) = MOMENTARY

NOTES:

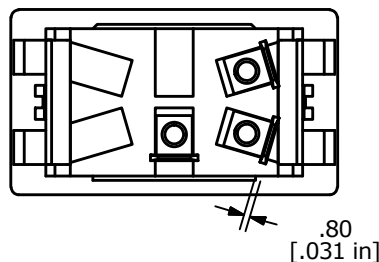
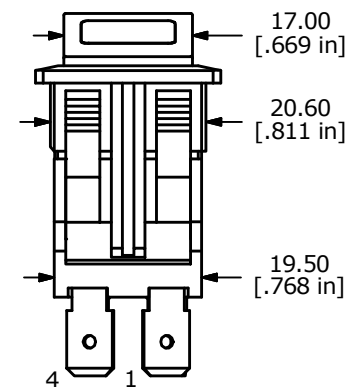
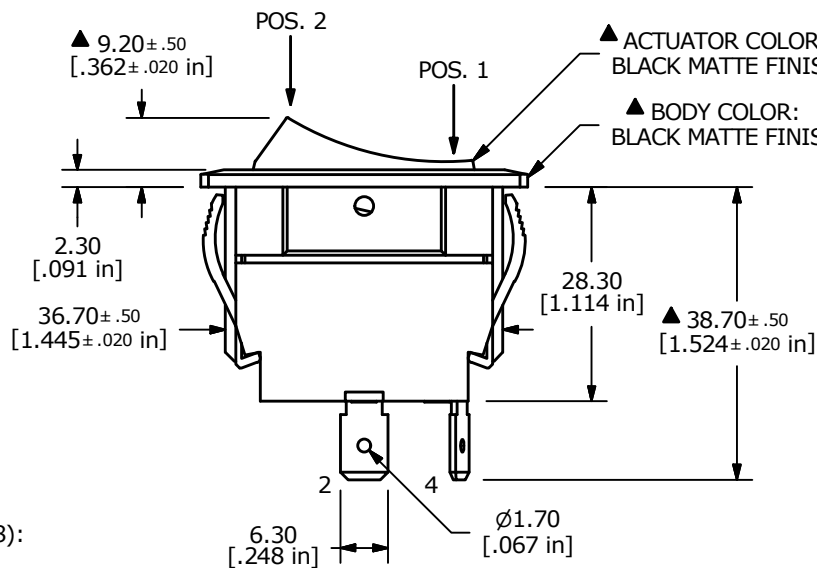
1. ALL DIMENSIONS IN MM [INCH]
2. GENERAL TOLERANCE: X.X±0.4
X.XX±0.25
- ▲ 3. RATINGS: ANSI/UL 508 AND CAN/CSA C22.2 NO.14 (E195908):
20A, 125VAC [cURus]
15A, 277VAC [cURus]
1.5HP, 110/250VAC [cURus]
4. CONTACT RESISTANCE: 50 mΩ MAX. @ 50VAC
5. INSULATION RESISTANCE: 800 MΩ MIN. @ 500VDC
6. OPERATING TEMPERATURE: 0°C TO +55°C [cURus, CSA]
0°C TO +55°C [VDE]
7. ELECTRICAL LIFE: 6,000 CYCLES [cURus]
8. DIELECTRIC STRENGTH: 1,500V FOR 1 MINUTE
10. INGRESS PROTECTION: IP54
11. ▲ DENOTES CRITICAL PARAMETER
- ▲ 12. NEON LAMP VOLTAGE: 125V
13. 2011/65/EU (RoHS) COMPLIANT.



▲ LENS COLOR:
TRANSPARENT RED

▲ ACTUATOR COLOR:
BLACK MATTE FINISH

▲ BODY COLOR:
BLACK MATTE FINISH



B	22503	UPDATED NOTES	5/18/17	MJR
A	18956	INITIAL RELEASE	3/24/10	CAB
REV	PCR NO	DESCRIPTION	DATE	BY

TITLE RVW44D1100-116				
SCALE 1:1	DATE 3/24/2010	DR CAB	DWG 34-RVW44D1100116	REV B

THE INFORMATION CONTAINED IN THIS DOCUMENT IS PROPRIETARY TO E-SWITCH AND IS NOT TO BE COPIED OR TRANSFERRED